



a label of atmh

GLEITSCHLEIFMASCHINEN

VIBRATORY GRINDING MACHINES

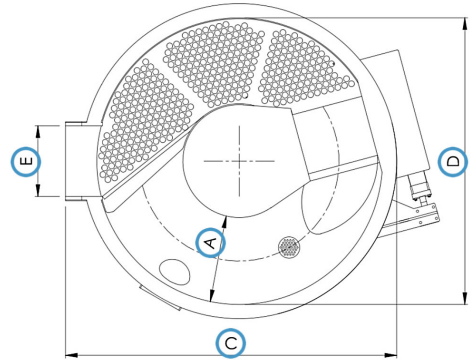
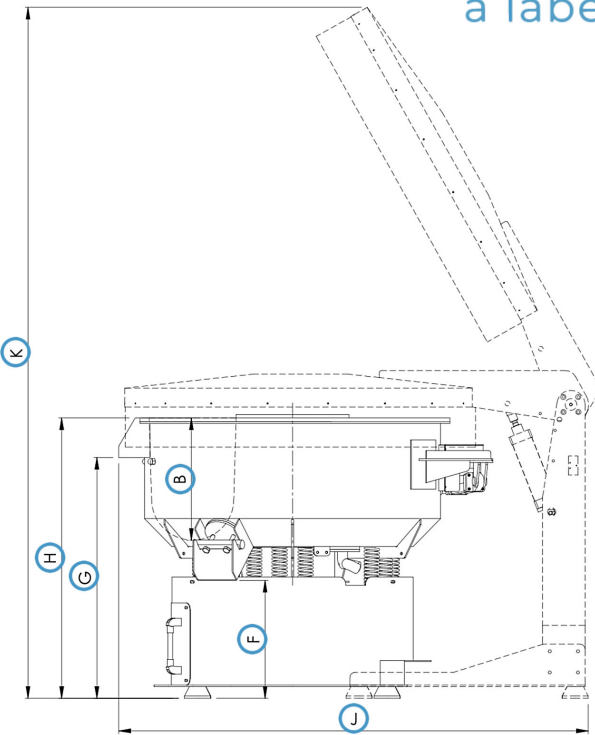
VKUE - SERIE

VKUE - SERIES



a label of atmh

VKUE 200



Gesamtvolumen / Total volume 219 Lt

Siebfläche / Sieve surface 0,25 m²

PU- Dicke / PU Thickness 15-25 mm

Motorleistung / Engine power 1,13 Kw

Spannung / Voltage 380/50 V/Hz

Arbeitsgeschwindigkeit / Operating speed 1500 rpm

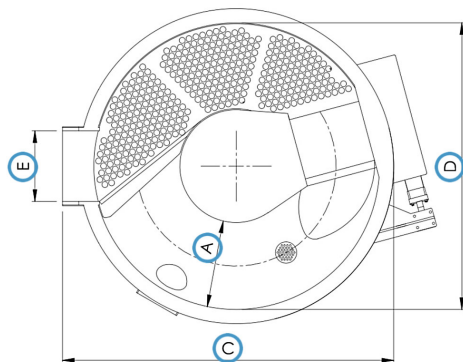
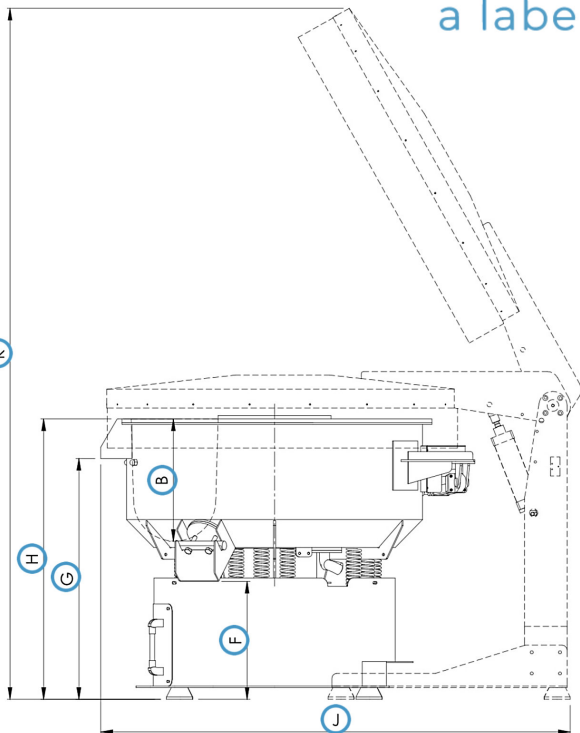
Gesamtvolumen / Total volume 340 Kg

A	280	mm
B	400	mm
C	1080	mm
D	960	mm
E	250	mm
F	500	mm
G	820	mm
H	980	mm
J	1540	mm
K	2300	mm

GERD WOLFF[®] MASCHINENFABRIK

a label of atmh

VKUE 350



Gesamtvolumen / Total volume	382	Lt
------------------------------	-----	----

Siebfläche / Sieve surface	0,35	m ²
----------------------------	------	----------------

PU- Dicke / PU Thickness	15-25	mm
--------------------------	-------	----

Motorleistung / Engine power	1,9	Kw
------------------------------	-----	----

Spannung / Voltage	380/50	V/Hz
--------------------	--------	------

Arbeitsgeschwindigkeit / Operating speed	1500	rpm
--	------	-----

Gesamtvolumen / Total volume	540	Kg
------------------------------	-----	----

A	340	mm
---	-----	----

B	470	mm
---	-----	----

C	1330	mm
---	------	----

D	1200	mm
---	------	----

E	300	mm
---	-----	----

F	525	mm
---	-----	----

G	920	mm
---	-----	----

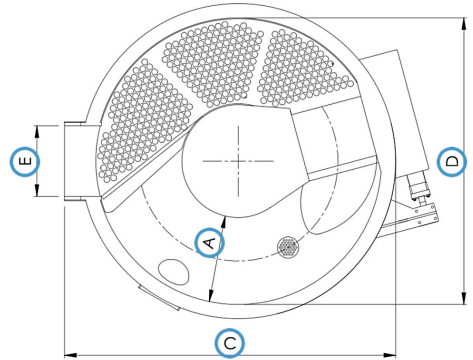
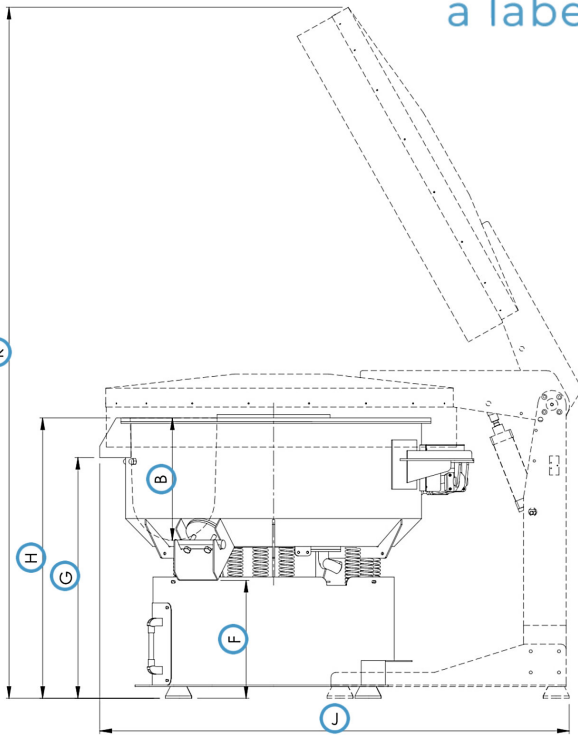
H	1100	mm
---	------	----

J	1820	mm
---	------	----

K	2800	mm
---	------	----

a label of atmh

VKUE 500



Gesamtvolumen / Total volume 520 Lt

Siebfläche / Sieve surface 0,45 m²

PU- Dicke / PU Thickness 15-25 mm

Motorleistung / Engine power 2,5 Kw

Spannung / Voltage 380/50 V/Hz

Arbeitsgeschwindigkeit / Operating speed 1500 rpm

Gesamtvolumen / Total volume 720 Kg

A 380 mm

B 540 mm

C 1500 mm

D 1360 mm

E 340 mm

F 550 mm

G 990 mm

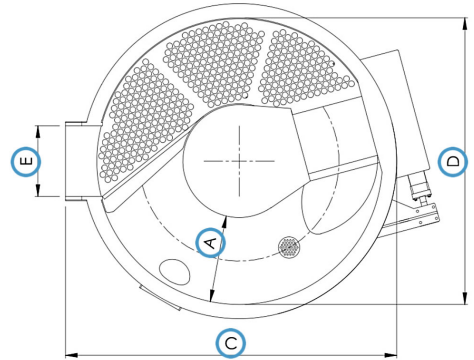
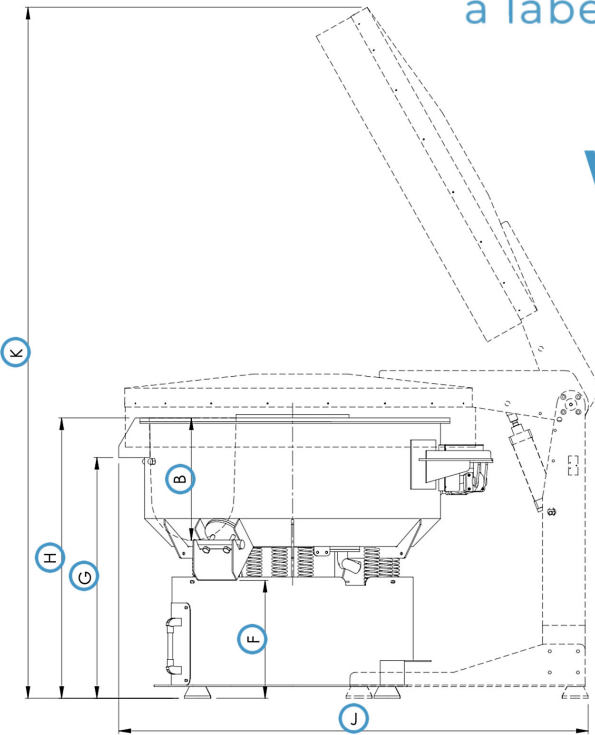
H 1200 mm

J 1980 mm

K 3050 mm

a label of atmh

VKUE 1200



Gesamtvolumen / Total volume	1210	Lt
------------------------------	------	----

Siebfläche / Sieve surface	0,98	m ²
----------------------------	------	----------------

PU- Dicke / PU Thickness	15-25	mm
--------------------------	-------	----

Motorleistung / Engine power	7	Kw
------------------------------	---	----

Spannung / Voltage	380/50	V/Hz
--------------------	--------	------

Arbeitsgeschwindigkeit / Operating speed	1500	rpm
--	------	-----

Gesamtvolumen / Total volume	1350	Kg
------------------------------	------	----

A	550	mm
---	-----	----

B	655	mm
---	-----	----

C	2000	mm
---	------	----

D	1760	mm
---	------	----

E	500	mm
---	-----	----

F	600	mm
---	-----	----

G	1240	mm
---	------	----

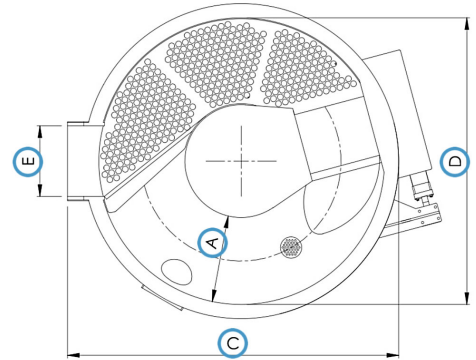
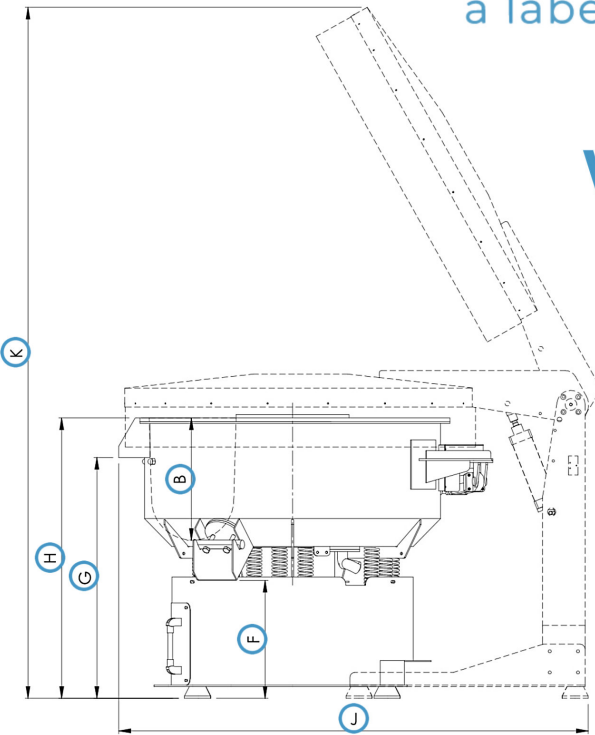
H	1440	mm
---	------	----

J	2620	mm
---	------	----

K	3700	mm
---	------	----

a label of atmh

VKUE 1600



Gesamtvolumen / Total volume	1610	Lt
------------------------------	------	----

Siebfläche / Sieve surface	1,10	m ²
----------------------------	------	----------------

PU- Dicke / PU Thickness	15-25	mm
--------------------------	-------	----

Motorleistung / Engine power	11	Kw
------------------------------	----	----

Spannung / Voltage	380/50	V/Hz
--------------------	--------	------

Arbeitsgeschwindigkeit / Operating speed	1500	rpm
--	------	-----

Gesamtvolumen / Total volume	2050	Kg
------------------------------	------	----

A	610	mm
---	-----	----

B	675	mm
---	-----	----

C	2240	mm
---	------	----

D	2010	mm
---	------	----

E	540	mm
---	-----	----

F	600	mm
---	-----	----

G	1280	mm
---	------	----

H	1480	mm
---	------	----

J	3060	mm
---	------	----

K	3900	mm
---	------	----